

JBS-2AD, JBS-2ADV, JBS-2ADV F

Open Voice Color Video Systems

DESCRIPTION:

The JBS-2AD, 2ADV and 2ADV F are audio video door answering systems complete with a fixed camera door station (JB-DA, JB-DV and JB-DV F respectively), an inside open voice video monitoring station (JB-2MD) and a power supply (PS-1820UL). Two additional interior stations may be added, either audio only (JA-2SD), audio/video (JB-2HD) or one of each. An additional video door station (Any JB series) or audio only (JA-D) may also be added.

The inside monitoring stations are equipped with a 3.5" TFT flat color monitor, and the video door station contains a CCD chip camera with white illumination LEDs for low light applications. Communication at the door station is hands free. Communication at the monitor/intercom is either VOX operated or Push To Talk.

Incoming calls from a door station sound a 2 or 4 stroke chime and activates the inside monitor station(s). Voice from the calling door is automatically activated upon call-in.

An inside monitor station answers a call-in from a door station by momentarily pressing the TALK button to activate the VOX mode or pressing and holding the TALK button while speaking.

The entry area(s) can be monitored (audio and video) by pressing the "monitor" button on any room station, staying on for approximately 1 minute. Pressing the "monitor" button repeatedly cycles through the door stations. The door release button can be used to activate an electric door strike. To selectively release video doors, add the RY-3DL adaptor.

JB Series Open Voice Color Video**JB-2MD/HD Features:**

- Open Voice Monitor/Intercom
- Max 2 Doors and 3 interior stations
- 3-1/2" LCD TFT Screen
- VOX or PTT communication
- All Call to other units
- Door release contact
- Multi-color call-in LED
- Receive volume control
- Chime tone volume control
- Instant-on when door calls
- Monitor the door station

**JA-2SD Features:**

- Audio Only sub
- VOX or PTT communication
- All Call to other units
- Door release contact
- Extra dry contact (Optional)
- Multi-color call-in LED
- Chime tone volume control

**JB-DA Features:**

- Color CCD Camera
- Surface mount
- Built in white illumination LEDs
- Lexan protected camera lens

**JB-DV Features:**

- Color CCD Camera
- Surface mount
- Backlit directory
- Vandal resistant
- Zinc cast face
- Metal call button
- Built in white illumination LEDs
- Lexan protected camera lens

**JB-DV F Features:**

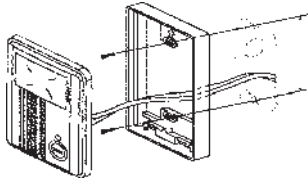
- Color CCD Camera
- Flush mount
- Backlit directory
- Vandal resistant
- Stainless steel faceplate
- Metal call button
- Built in white illumination LEDs
- Lexan protected camera lens

FEATURES & FUNCTIONS:

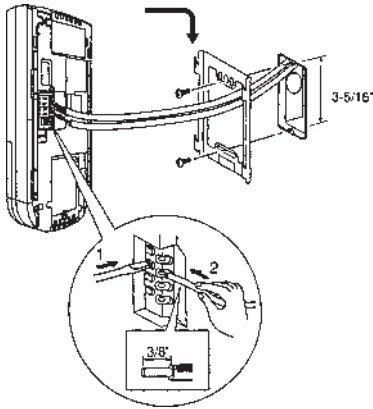
- Open voice communication
- VOX or PTT operation at inside station
- Hands-free communication at door station
- Set contains door station, monitor and power supply
- Multi-color door call-in LED
- Video and audio turn on when door calls in
- Two additional monitor or audio only stations can be added
- Simple 2-wire hook up -- Can replace existing doorbell
- 4 or 6 wires between inside monitors
- CCD camera with white LEDs for low light applications
- Built-in video output
- All Call between inside stations
- Selectively release door locations (adaptor required)

MOUNTING & INSTALLATION:

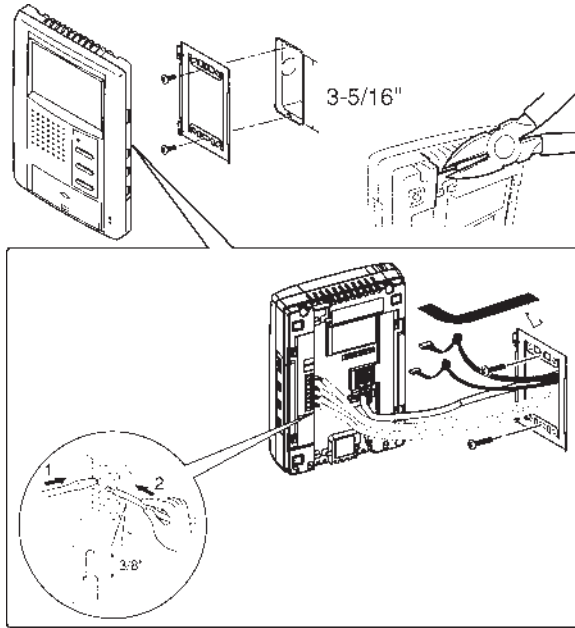
JB-DA



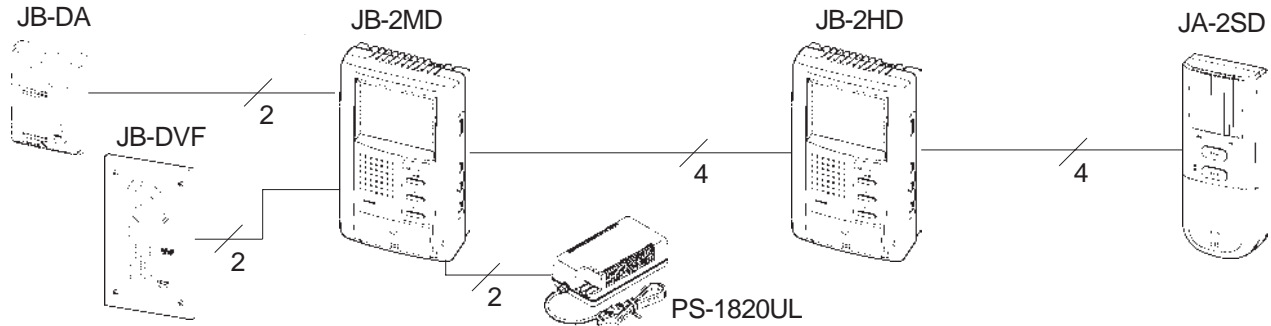
JA-2SD



JA-2MD/JB-2HD



System Layout Example:



SPECIFICATIONS:

| | |
|-------------------------|---|
| Systems: | JBS-2AD (JB-DA, JB-2MD, PS-1820UL) JBS-2ADV (JB-DV, JB-2MD, PS-1820UL) JBS-2ADV (JB-DVF, JB-2MD, PS-1820UL) |
| Power Source: | 18V DC. Use PS-1820UL. |
| Operating Temperature: | JB-DA,DV,DVF: 14° ~ 140° F JA-2SD, JB-2MD/2HD: 32° ~ 104° F |
| Communication: | Hands free at door station, VOX or PTT at inside station |
| Calling: | From Door to Inside: Chime tone with "Instant-on" Between Inside Stations: Call tone, then communication |
| Video Monitor: | 3.5" TFT type LCD with 525 scanning lines |
| Camera Unit: | CCD (Charged Coupled Device) with illumination LEDs |
| Overall Viewing Area: | 25" Vert. x 37" Horiz. at 20" |
| Wiring: | 2 wires to door station(s) (Use Aiphone wire # 841802) 4 wires between monitors (Use Aiphone wire # 841804) |
| Wiring Distance: | Door station to JB-2MD: 330' w/18AWG JB-2MD to farthest JB-2HD: 330' w/18AWG PS-1820UL to JB-2MD: 33' w/18AWG |
| Mounting: | Surface mount to a 1-gang box or ring |
| Door Release Contact: | Normally Open - 12V AC, 400mA Max. |
| Dimensions (H x W x D): | JB-2MD/2HD: 6-7/8" x 4-7/32" x 1-11/16" JB-DA: 5-18" x 3-7/8" x 1-1/2" JB-DV: 6-7/8" x 3-7/8" x 1-1/16" JB-DVF: 8-1/4" x 5-3/8" x 2" (Overall depth) |